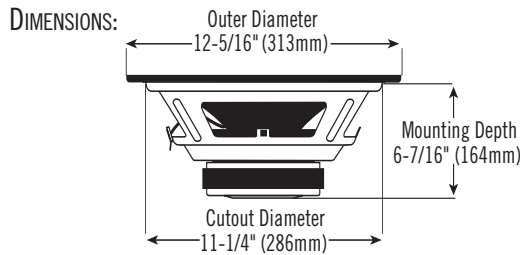




GT5-12 12" Woofer – Technical Data

SPECIFICATIONS

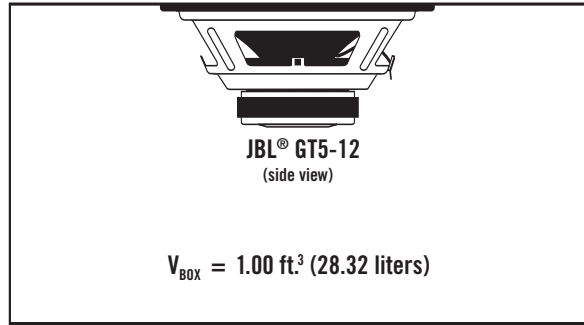
DIAMETER:	12" (305mm)
SENSITIVITY (2.83V @ 1M):	90dB
POWER HANDLING:	275W _{RMS} 1100W _{PEAK}
FREQUENCY RESPONSE:	27Hz – 450Hz
NOMINAL IMPEDANCE:	4 OHMS
VOICE-COIL DIAMETER:	2" (51mm)



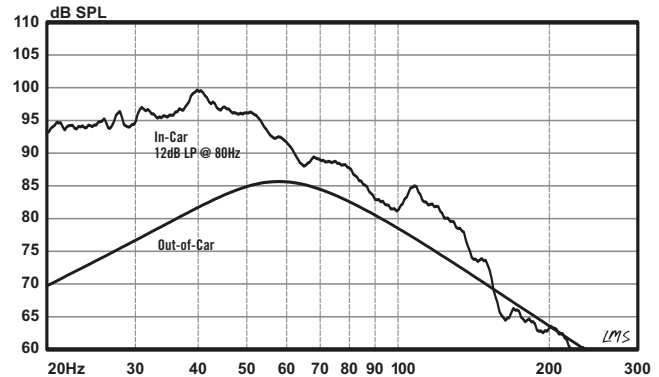
THIELE-SMALL PARAMETERS

VOICE-COIL DC RESISTANCE:	R_{EVC} (OHMS)	4.00
VOICE-COIL INDUCTANCE @ 1kHz:	L_{EVC} (MH)	1.26
DRIVER RADIATING AREA:	S_D (IN ²)	82.15
	S_D (M ²)	530.00
MOTOR FORCE FACTOR:	BL (TM)	15.2
COMPLIANCE VOLUME:	V_{AS} (FT ³)	1.9
	V_{AS} (LITERS)	54.2
SUSPENSION COMPLIANCE:	C_{MS} (μM/N)	135.00
MOVING MASS, AIR LOAD:	M_{MS} (GRAMS)	223.00
MOVING MASS, DIAPHRAGM:	M_{MD} (GRAMS)	216.00
FREE-AIR RESONANCE:	F_S (Hz)	29.00
MECHANICAL Q:	Q_{MS}	6.39
ELECTRICAL Q:	Q_{ES}	0.64
TOTAL Q:	Q_{TS}	0.58
MAGNETIC-GAP HEIGHT:	H_{AG} (IN)	0.315
	H_{AG} (MM)	8.00
VOICE-COIL HEIGHT:	H_{VC} (IN)	1.43
	H_{VC} (MM)	36.4
MAXIMUM EXCURSION:	X_{MAX} (IN)	0.56
	X_{MAX} (MM)	14.2

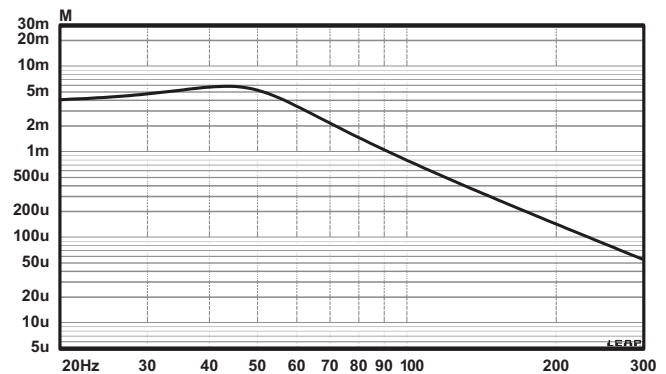
SEALED BOX VOLUME (INCLUDES DRIVER DISPLACEMENT)



SEALED ENCLOSURE FREQUENCY RESPONSE @ 2.83V



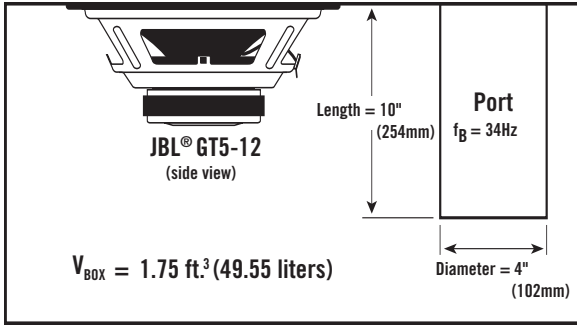
SEALED ENCLOSURE CONE EXCURSION @ 275W



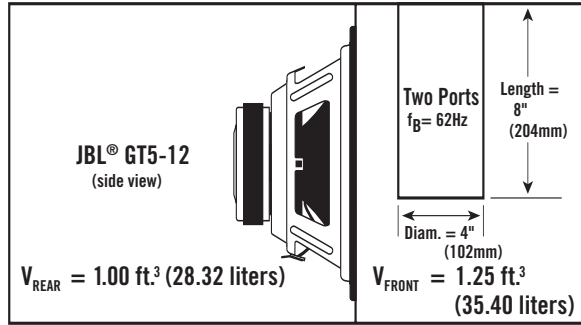


GT5-12 12" Woofer – Technical Data

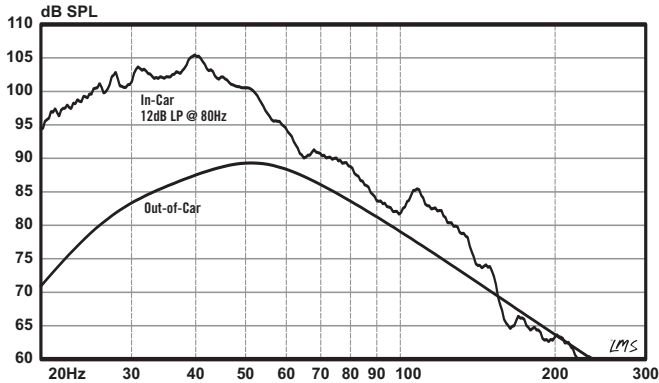
VENTED BOX VOLUME (INCLUDES DRIVER/PORT DISPLACEMENTS)



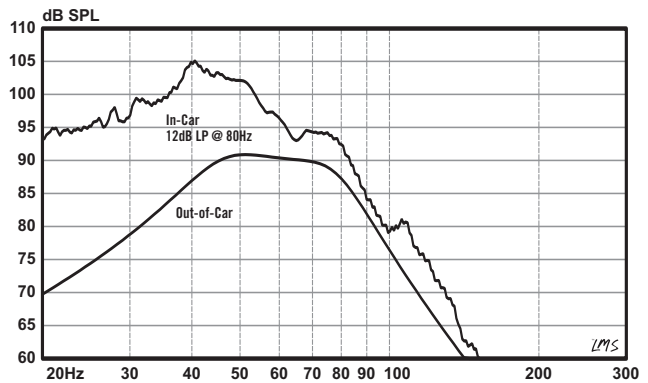
BAND-PASS BOX VOLUME (INCLUDES DRIVER/PORT DISPLACEMENTS)



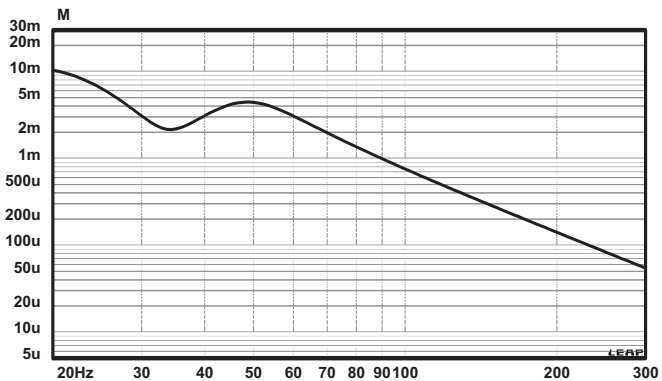
VENTED ENCLOSURE FREQUENCY RESPONSE @ 2.83V



BAND-PASS ENCLOSURE FREQUENCY RESPONSE @ 2.83V



VENTED ENCLOSURE CONE EXCURSION @ 275W



BAND-PASS ENCLOSURE CONE EXCURSION @ 275W

